

# RBJ200M

Metric Spherical Bearings, Metal to Metal  
Entry Slot construction, Ground track

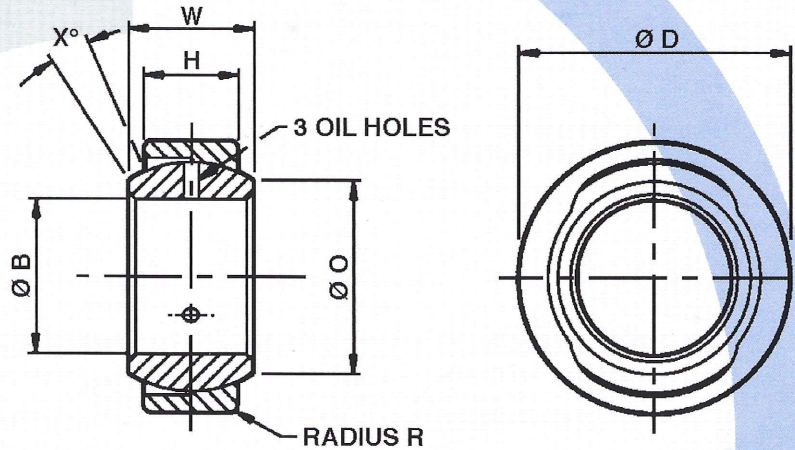


### Outer race

1% carbon chromium steel  
Heat treated  
Phosphated all over

### Ball

1% carbon chromium steel  
Heat treated  
Phosphated all over



For tight fit add suffix 'TF' to part no. Eg. RBJ206MTF

Rose part no	B	D	W	H	O	R	X	Max static radial load	Max static axial load	Weight
	Bore dia	Race dia	Ball width	Race width	Ball face dia	Race Radius	Angle			
RBJ	H7	h6	+0 -0,050	+0 -0,050			deg	N	N	kg
200M	4	14	5,50	4,00	8,71	0,4	9,5	19710	5780	0,005
201M	6	14	5,50	4,00	8,71	0,4	9,5	19710	5780	0,004
202M	8	16	6,25	4,75	10,12	0,4	8	27260	6770	0,006
203M	10	20	8,00	5,50	13,86	0,4	10	42660	14900	0,011
205M	12	24	11,00	8,00	15,55	0,4	10,5	72570	22160	0,022
207M	16	28	12,75	8,75	19,14	0,4	11,5	96100	26870	0,032
208M	18	34	14,25	9,50	24,03	0,8	10,5	127480	36580	0,054
210M	26	40	17,50	11,00	28,58	0,8	12,5	179460	44130	0,067
211M	28	48	20,50	14,25	36,26	1,6	9,5	287330	77470	0,148
212M	32	50	20,50	14,25	39,72	1,6	8,5	307920	60800	0,160
213M	38	64	23,75	16,00	48,45	1,6	9	413830	95120	0,293

Dimensions in millimetres

Diametral clearance		
Bore size	Normal fit mm	Tight fit mm
200M to 203M	0 to 0,018	0 to 0,010
205M to 208M	0 to 0,023	0 to 0,013
210M to 212M	0 to 0,025	0 to 0,015
213M	0 to 0,030	0 to 0,015

For other sizes and options please contact Rose Bearings.

Static radial loads quoted are at 90° to the entry slots.

Static axial loads quoted are in the direction away from the entry slots.

Please consult Rose Bearings for availability of bearings in this series.

Rose Bearings operates a policy of continual improvement, and therefore reserves the right to revise specifications without notice.

**Rose Bearings Ltd - Doddington Road, Lincoln LN6 3RA UK TEL: 01522 500933 FAX: 01522 696485**